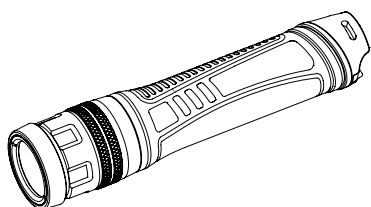
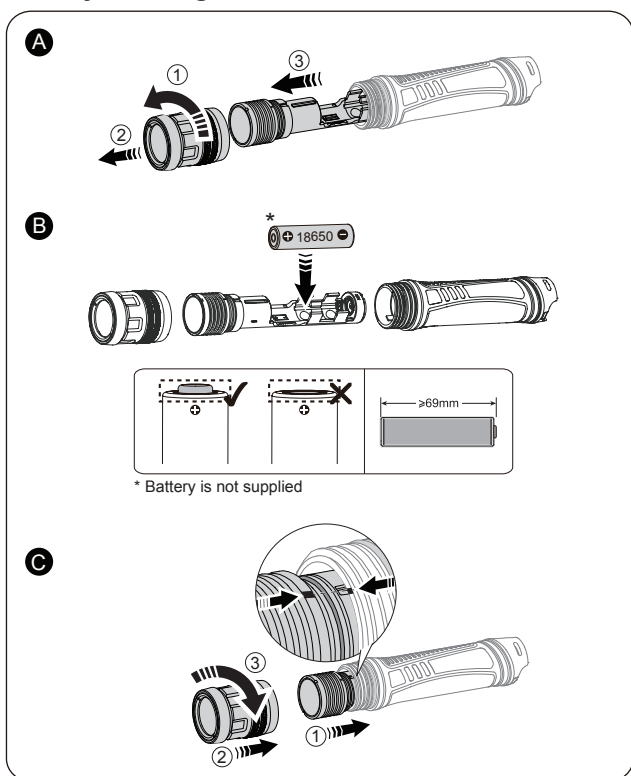


# AOI CLT-103 USER MANUAL



## Battery Loading



## Operation

