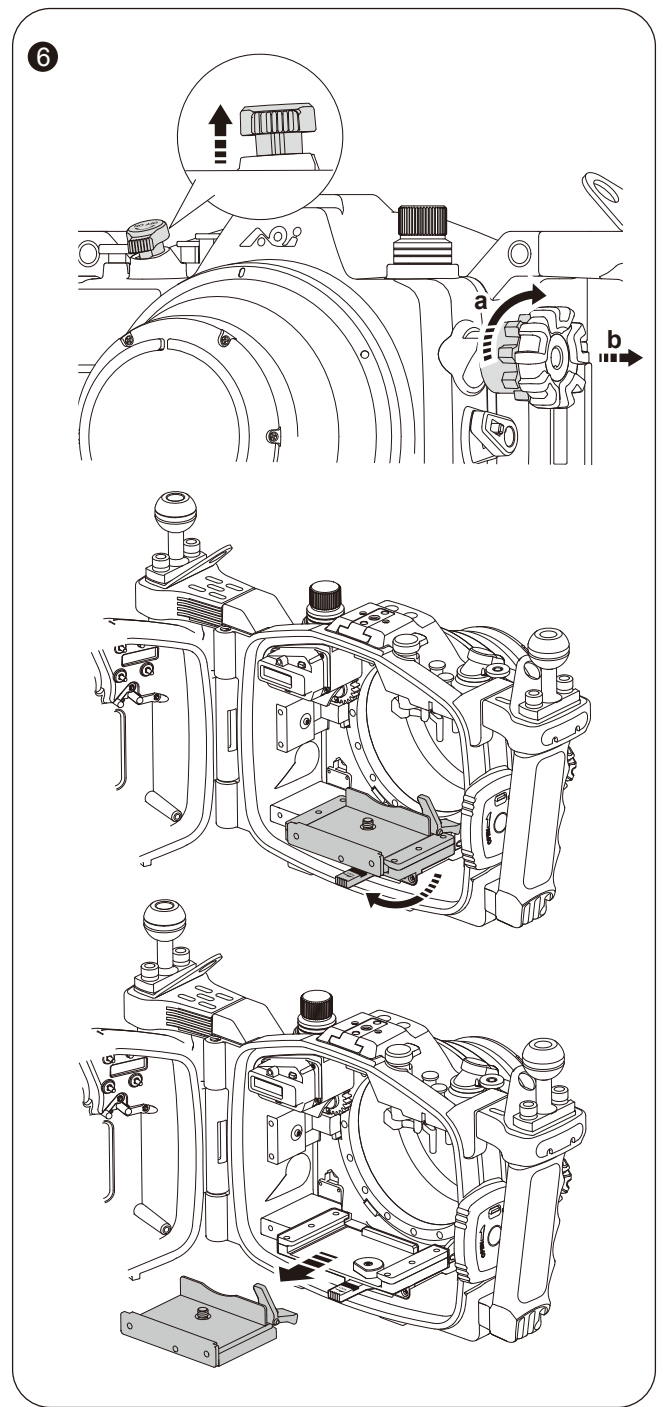
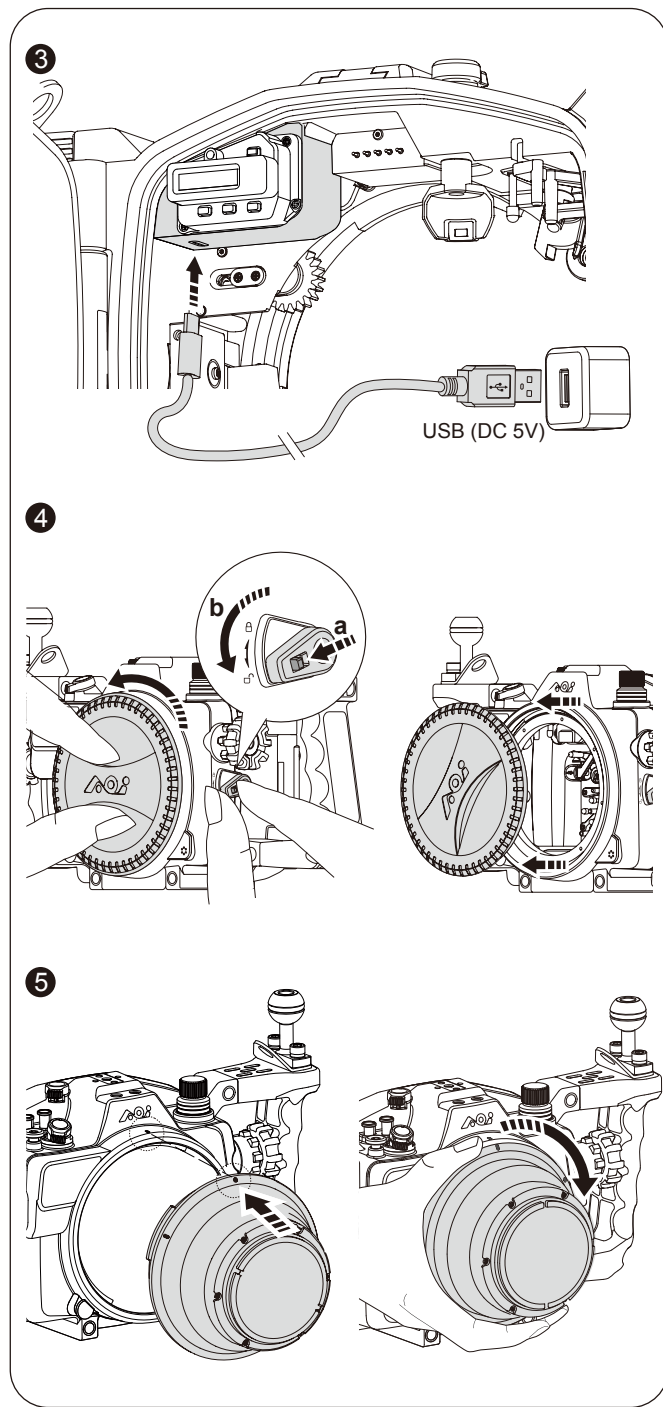
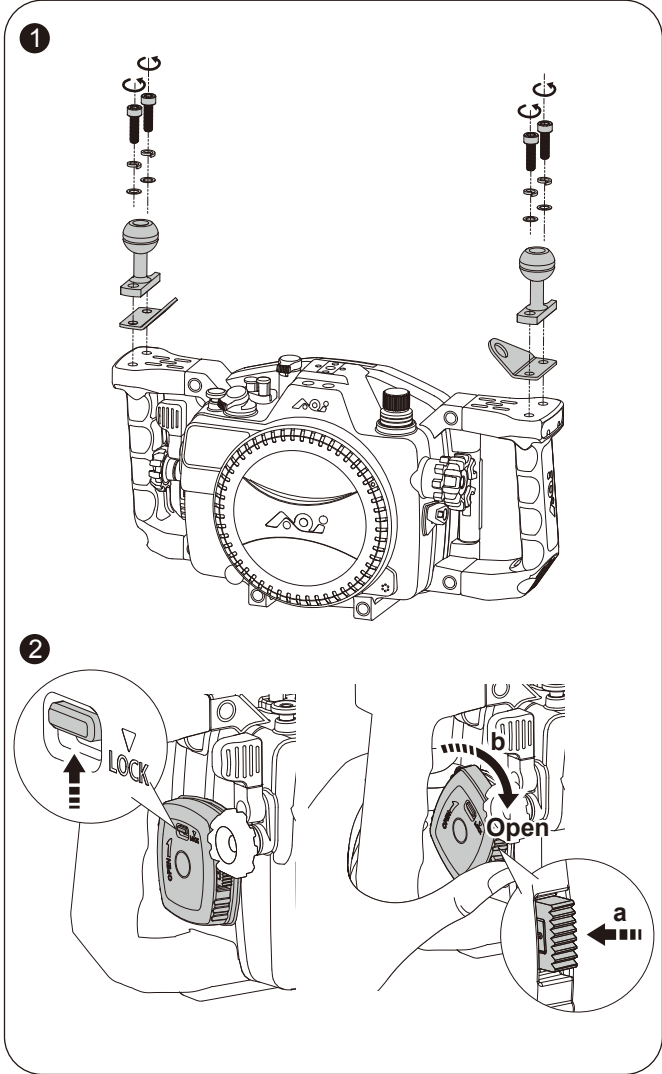


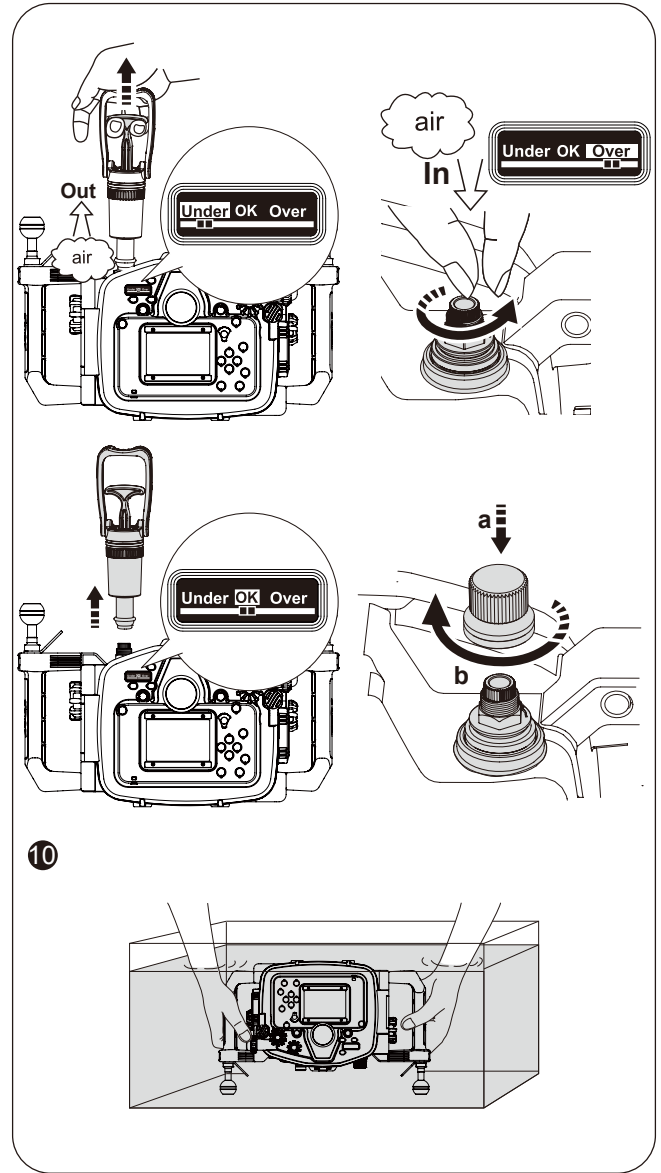
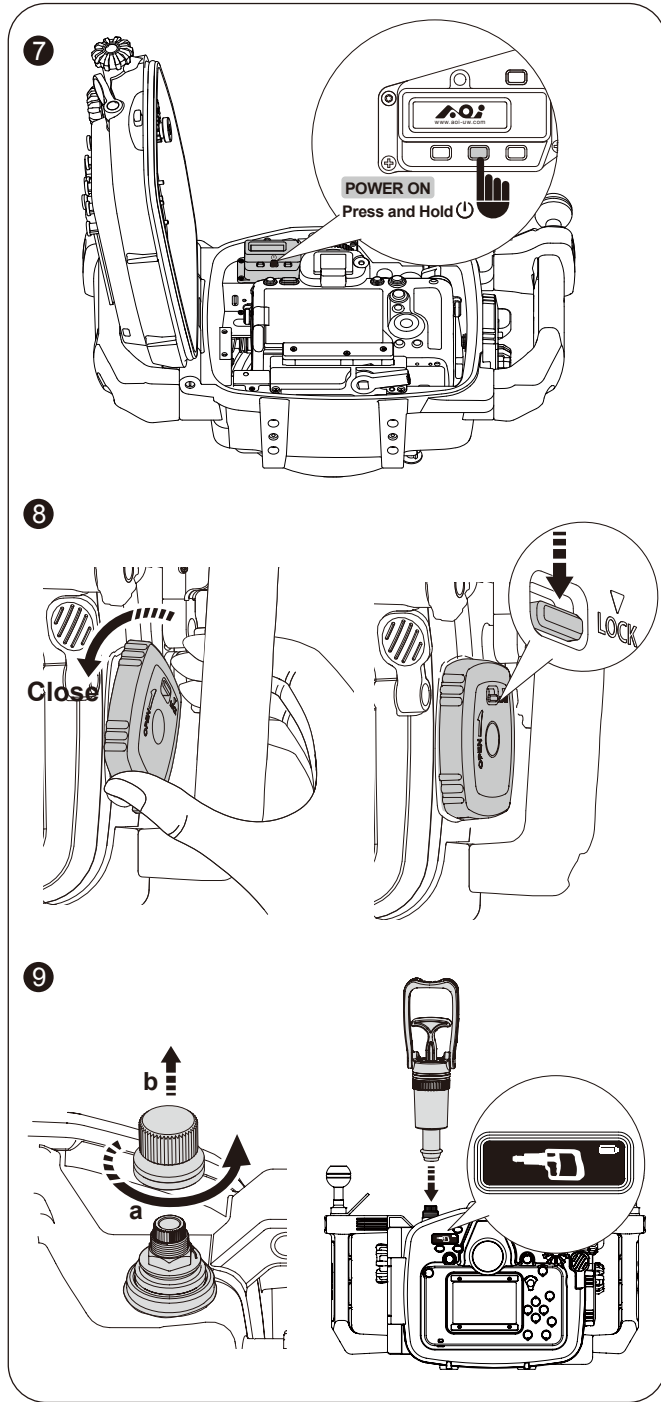
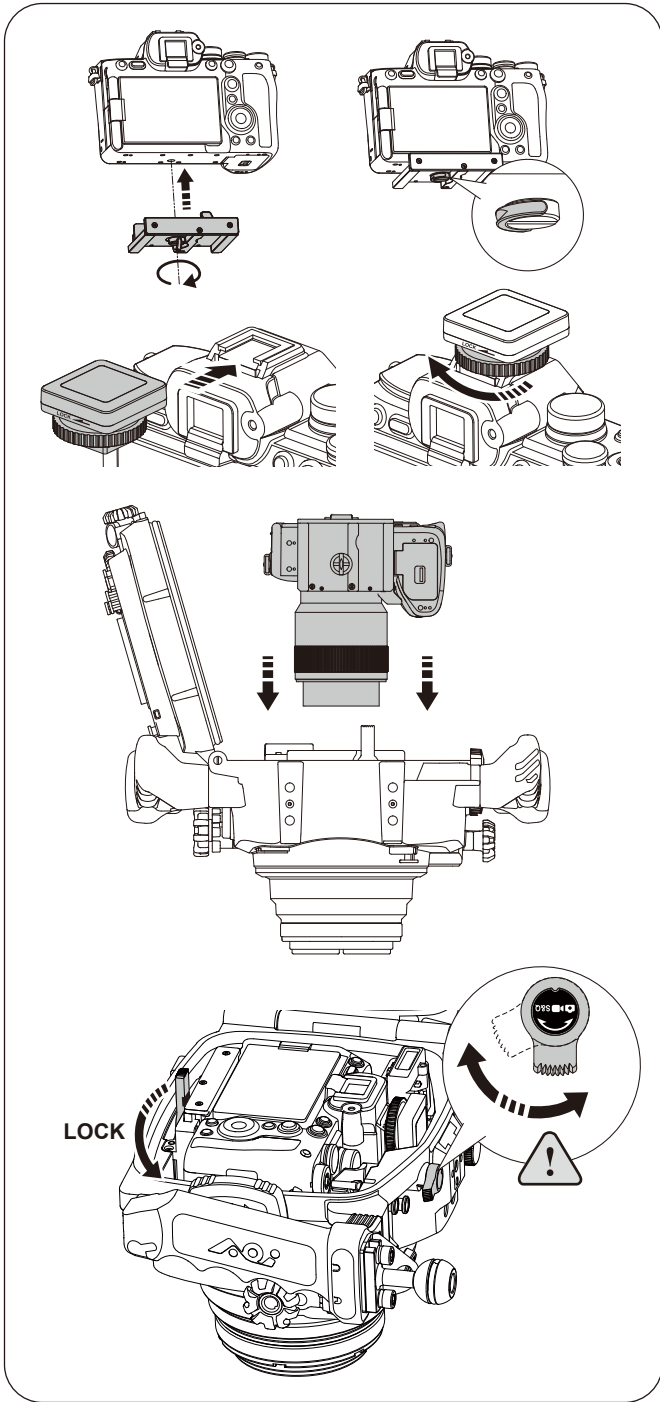
AOI

UH-A7IV

HOUSING SETUP

QUICK MANUAL





AOI is a registered trademark of AOI Ltd. All rights reserved.
All other trademarks are the property of their respective owners.



www.aoi-uw.com

Made in China