



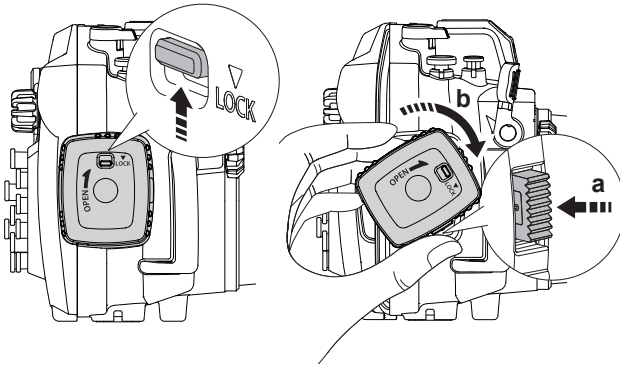
UH-R50

HOUSING SETUP

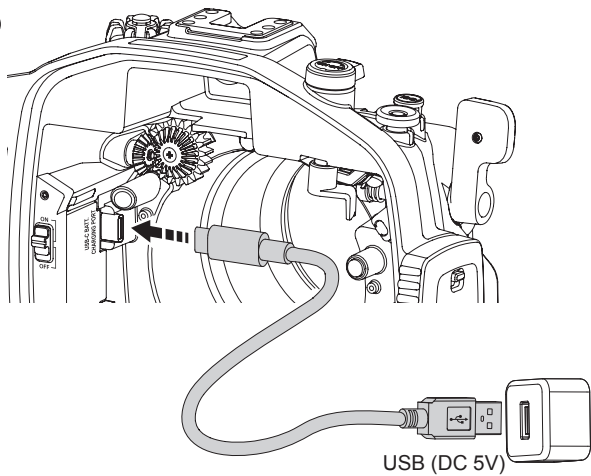
for Canon EOS R50 Camera

QUICK MANUAL

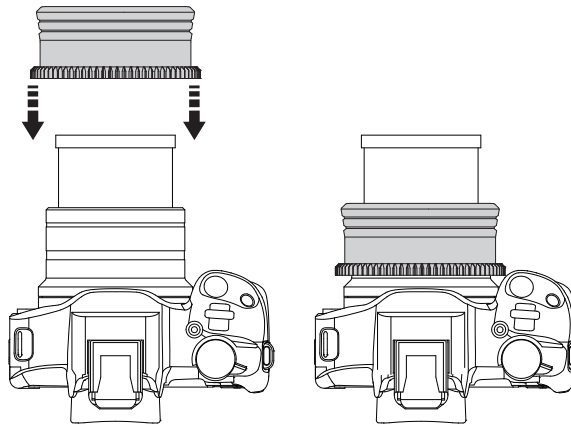
1



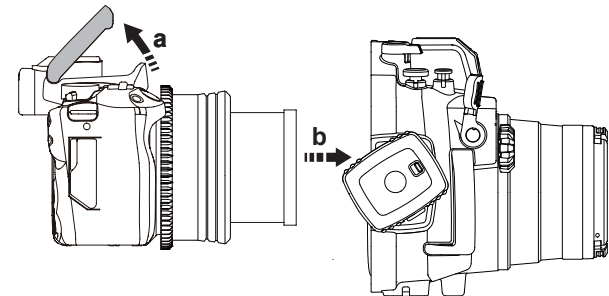
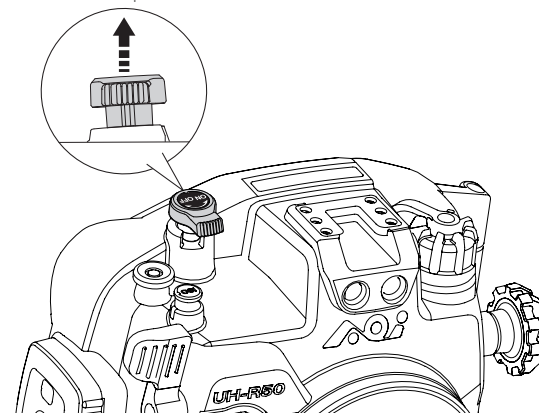
2



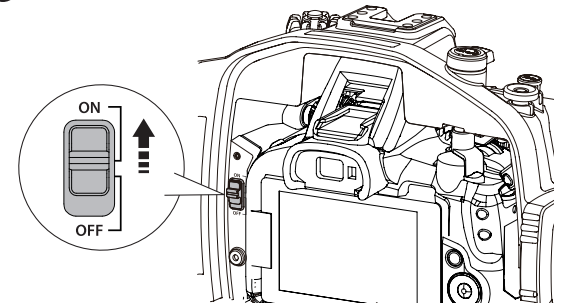
3



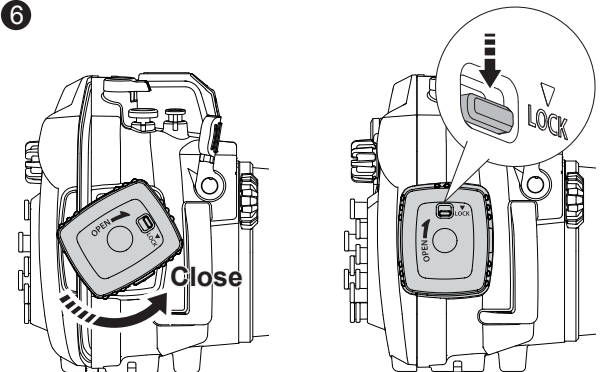
4

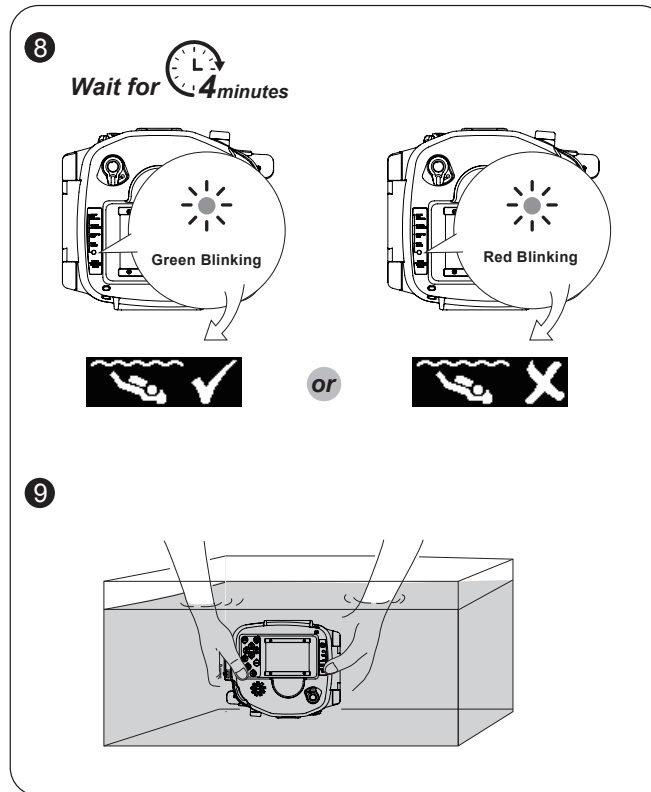
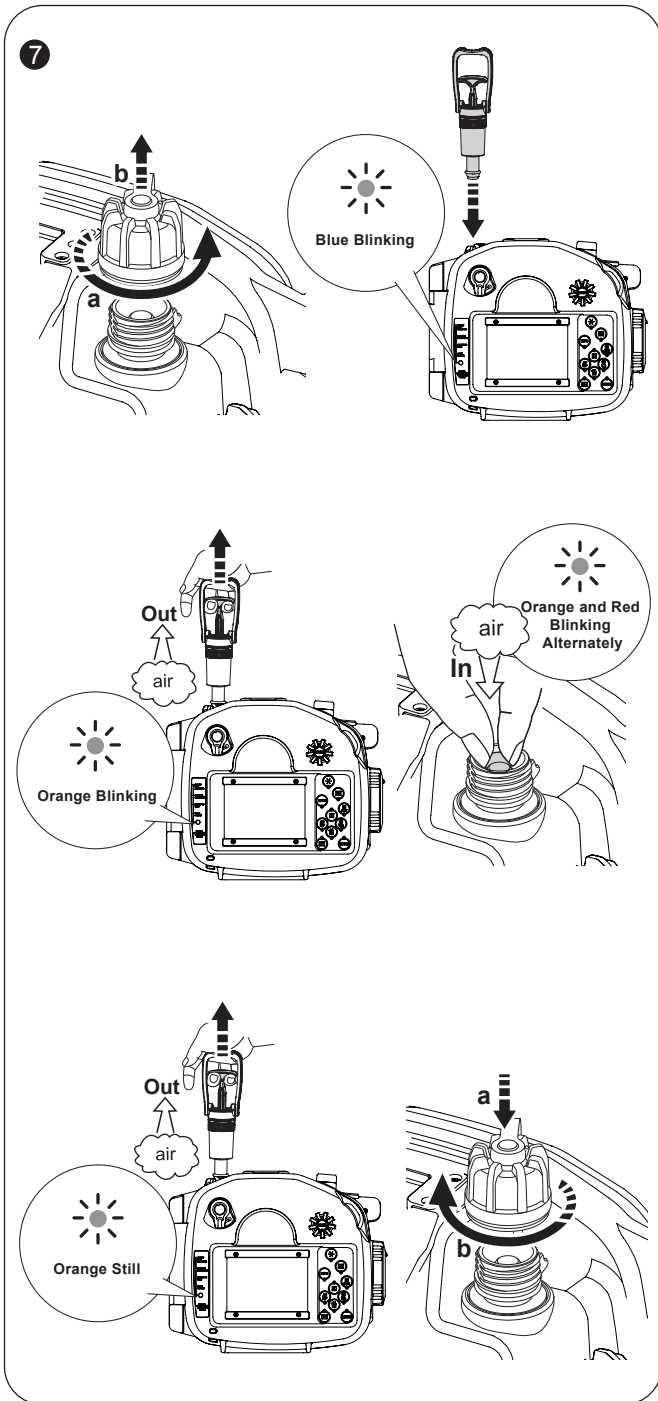


5



6





Summary of Signal Indicator Color Codes Indication

Signal Indicator	Indication	Next Action
Blue Slow Blinking	Ready for Vacuum analysis	Vacuum Pumping
Orange Blinking	Vacuum below desired level	Continue pumping
Orange and Red Blinking alternately	Vacuum above desired level	Tap the orange Vacuum Valve to release the vacuum
Orange Still	Vacuum analysis in progress	Close Vacuum Valve Cap and wait 4 minutes for vacuum analysis
Green Short Blinking	Vacuum analysis test has passed	Ready to go into the water
Red Blinking	Vacuum analysis test has failed	Inspect the housing for any potential air leakage sources
Red Blinking + 5 Sec Audible Alarm	Wet Sensor Strip detects water droplet or moisture	Inspect the housing for any potential water leakage sources
Blue Quick Blinking	Power Charging is required	Connect it to a USB charger for charging
Green Long Blinking	Power Charging in progress	Continue charging
Green Still	Power Charging is completed	Remove from USB charger and stop charging
Red-Green-Blue Blinking	System Error	Contact AOI Service Center



AOI is a registered trademark of AOI Ltd. All rights reserved. All other trademarks are the property of their respective owners.

