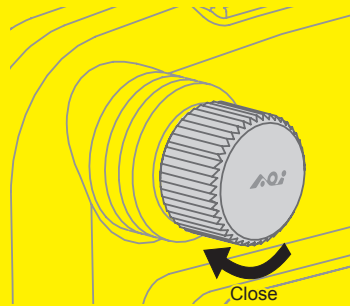




PRECAUTION



Close Protective Cap Before Going Into Water

1. Please remember to put on the Vacuum Valve Protective Cap before going into water.
2. The inner parts of Vacuum Valve were not designed to contact with sea water.
3. In case you forget to put on the Protective Cap before going into the sea, the Vacuum Valve alone will keep waterproof. But, you have to rinse it thoroughly with fresh water after you get out from the water. It will prevent the sea water keeping inside the Valve and cause malfunction of the precise mechanism.
4. If you are not sure the way to clear the Vacuum Valve, please bring the housing with the Vacuum Valve to your local dealer for getting the cleaning service as soon as possible.